

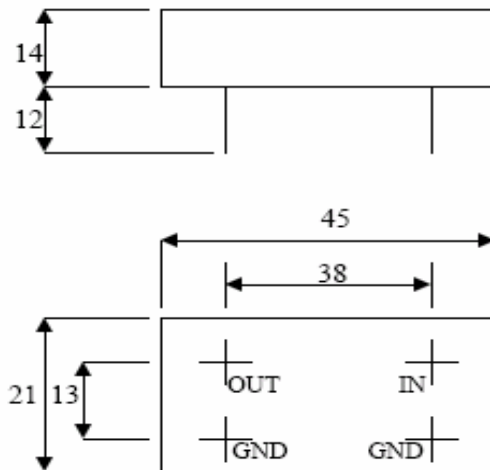


Specification

Crystal Filter 70MHz

P/N: 70M30C50

Parameter	Unit	Minimum	Typical	Maximum
Center Frequency	MHz		70	
Insertion Loss	dB		5.0	
1 dB Bandwidth	KHz		25	
3 dB Bandwidth	KHz		30	
60dB Bandwidth	KHz		100	
Passband variation	dB		1.0	
Impetance	Ohm		50	
Operation Temperature	°C	-20~75		
Package Size	45x21x14mm			



Remark: 1 Unit: mm

2 Material: Copper, thickness: 0.5mmmm

3 Lead diameter: 0.8mm

Outline Drawing: MCF 70MHz